

DESCRIPTION

Per standard wiring practices, the power must be off before making any wire connections. The terminal strips have removable plug-in connectors to make wiring easier.

1. Refer to figure 1 for terminal connections.
2. Connect power supply positive (+) or AC load to terminal marked AC L/DC +
3. Connect power supply negative (-) or AC common to terminal marked AC C /DC -
4. Series 200 sensor, connect the red wire to signal (+) terminal, black wire to signal (-) terminal and the shield to shield terminal (disregard shield for the IR sensors)
5. Series 4000 sensor, connect the red wire to power out terminal, clear wire to signal (+) terminal, black wire to signal (-) terminal and shield wire to shield terminal
6. If wiring to a sine wave output sensor, consult factory
7. Connect pulse (+) from pulse input device to pulse out (+) of 320, connect pulse (-) from pulse input device to pulse out (-) of 320
8. For maximum EMI protection, connect model 320 ground lug to panel ground.
9. Ensure that all connections are tight, then plug connector into header.

FEATURES

- Scalable pulse transmitter
- Parametering via PC/laptop



* Data Industrial is a Badger Meter, Inc. company.

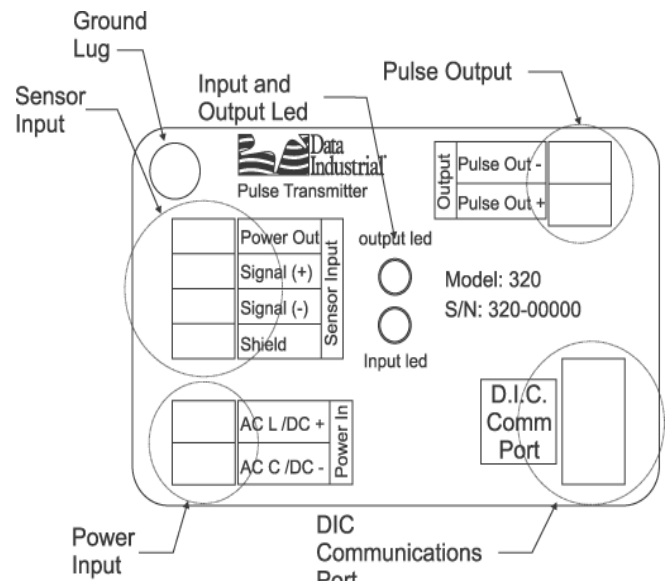


Figure 1

WIRING 320 TO SERIES 200 OR 4000 TO A GENERIC PULSE INPUT DEVICE

